

Replacing a Cylinder

⚠ Caution:

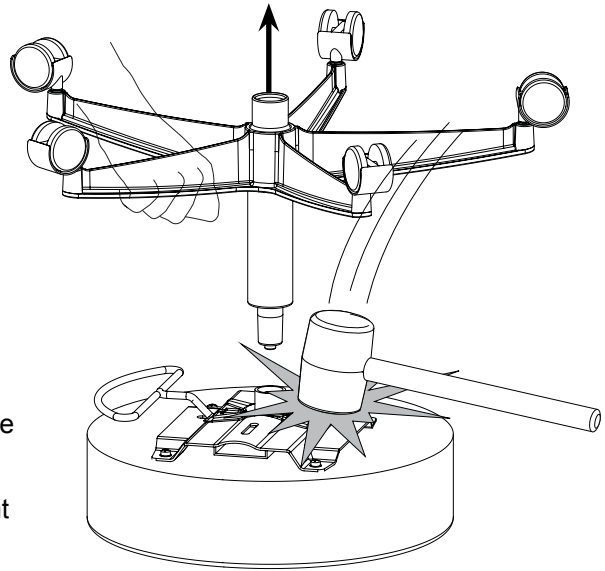
Do not lean over the base during removal. Rapid release of seat may cause base to “fly upward” causing personal injury.

⚠ Caution:

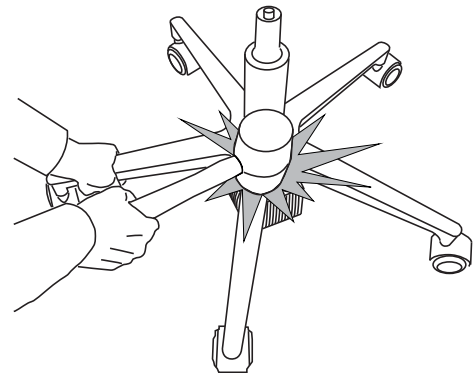
Use approved safety goggles when working on stool.

Tools: Rubber Mallet

1. Turn stool upside down onto clean work surface.
2. Pull up on caster base slightly while striking control plate in an area that will not damage it. Repeated blows with the mallet as well as striking the control plate in different spots will help to ease release.



3. Place protruding portion of cylinder over wooden block and strike with mallet until it releases. Repeated blows with the mallet will be required to cause release. Note: striking the base in different spots around the cylinder will help to ease release.



4. Reassemble by inserting new cylinder into caster base.
5. Place seat onto cylinder by aligning hole in control plate with top of cylinder.
6. Sit on stool to fully engage cylinder into control plate and caster base.

