

⚠ DANGER

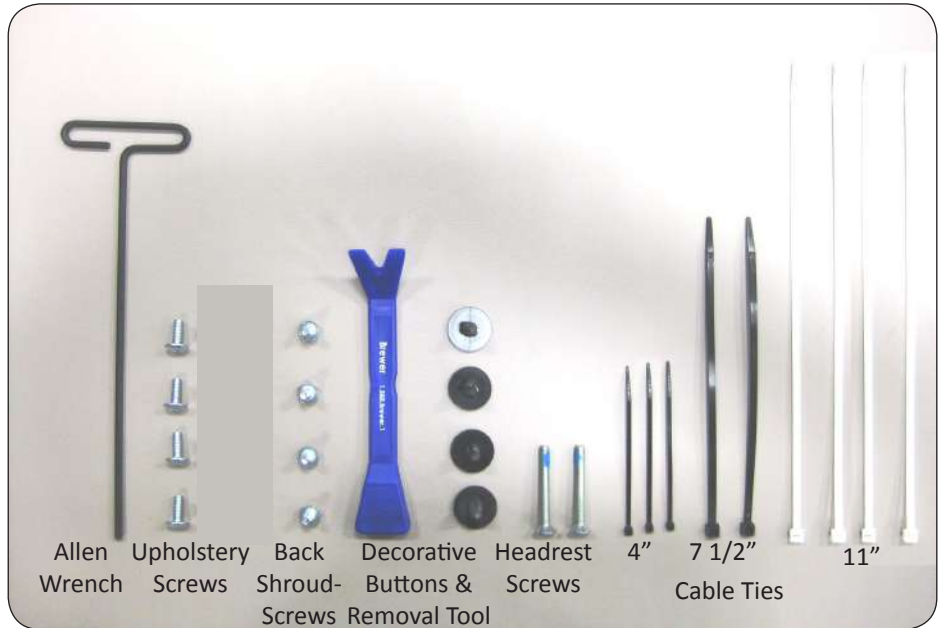
Always disconnect the power cord from the wall outlet before performing service on the table to prevent electrical shock. Failure to do so could result in severe personal injury or death.

⚠ WARNING

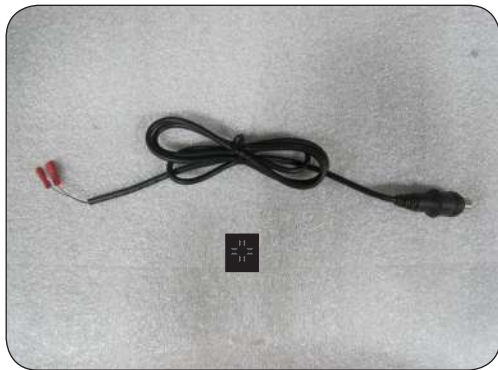
Refer to the Operator's Manual supplied with the unit for complete instructions on operation. Failure to do so could result in personal injury.



Backrest Actuator



Allen Wrench Upholstery Screws Back Shroud Screws Decorative Buttons & Removal Tool Headrest Screws 4" Cable Ties 7 1/2" Cable Ties 11" Cable Ties



On/Off Wiring Harness with 4-Way Cable Tie

Description	Qty.
Backrest Actuator	1
On/Off Wiring Harness	1
4-Way Cable Tie Hold Clip	1
Wrench, 5/32 Allen 9"	1
Upholstery Screw, Painted 1/4-20 x 5/8" Long	4
Back Shroud Screw 1/4"-20 X 1/2" Self-Tapping	4
Decorative Button Removal Tool	1
Decorative Buttons	4
Headrest Screw, 1/4-20 x 1" Long	2
Cable Tie, 4"	3
Cable Tie, 7-1/2"	2
Cable Tie, 11"	4

Tools required:

Medium flat bladed screwdriver
Small flat bladed screwdriver
Philips screwdriver #3

7/32" Allen wrench
3/8" Box wrench or Socket
3/8" Nut driver or Socket
Side cutters

1/2" Combination Wrench
3/16" Allen Wrench

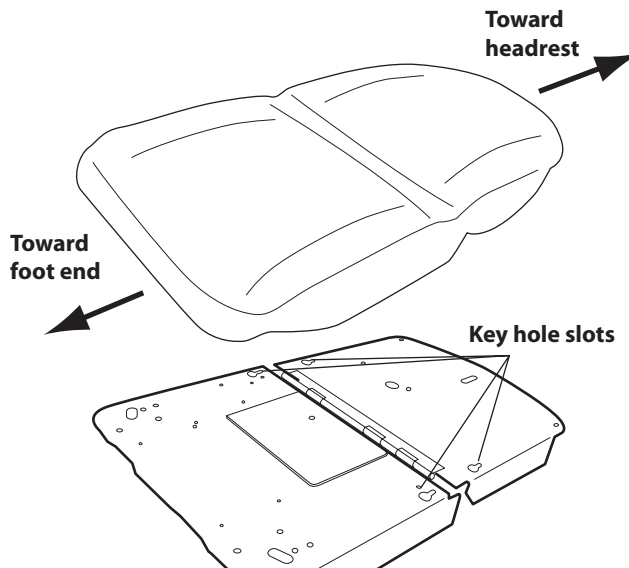
SEAT/BACK UPHOLSTERY REMOVAL

1. Plug the power cord into an electrical receptacle and raise the table to the full up position, with the back and leg sections down. Unplug the power cord.
2. The four seat/back mounting screws are located on the underside of the seat frame, one in each corner. *Pry off the plastic caps covering the screws and remove the screws. Discard screws and covers.
3. Pull the upholstery toward the foot end of the table, lift and remove the upholstery.
4. Plug table in, raise backrest fully up, and unplug table.

**Your table may not have plastic caps covering the screw heads. Replace with painted screws supplied.*

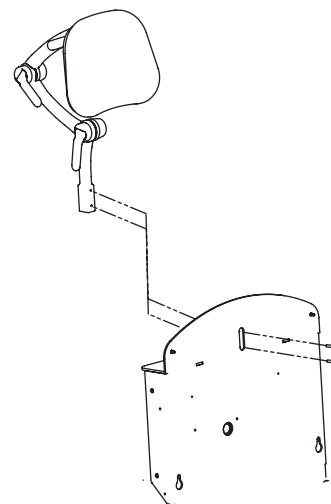


Upholstery Screw



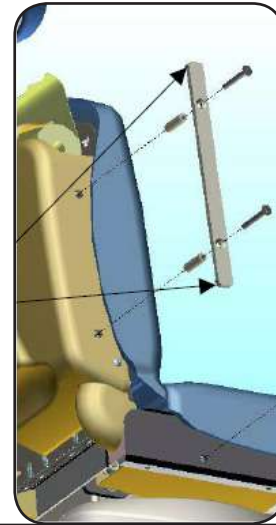
HEADREST ASSEMBLY REMOVAL

1. Using the Allen wrench supplied, remove the screws securing the Headrest and linkage assembly to the seatback frame. Discard the screws.
2. Lift and remove the Headrest assembly and set aside.



BACK SHROUD REMOVAL

1. Remove Accessory Bars (if equipped).



2. Remove Decorative Buttons (if equipped).
3. Remove screws at top of Backrest Shroud.
4. Loosen screws at bottom of Backrest Shroud one turn.



Note: The next two steps are shown with Backrest Shroud and wiring removed for clarification.

Locking Clips



5. Reach into Backrest Shroud, depress lower two locking clips on the left Safety On/Off Switch, and push bottom of switch out of opening.



- 6. With a flat bladed screwdriver depress upper two locking clips on the Safety On/Off Switch, and push switch out of opening.



- 7. Secure wires together with 4" cable tie.



- 8. Using a flat bladed screwdriver remove the connectors from the switch terminals.
- 9. Tuck wires through switch opening.



Note: Right Safety On/Off switch has a “dummy” connector attached to the #12 terminal. This terminal is live. The “dummy” connector is to provide insulation should inadvertant contact be made. **DO NOT REMOVE THE “DUMMY” CONNECTOR.**

10. Perform steps 7 through 11 on the right switch.



Note: While performing the next step be sure to provide support of the Backrest Shroud at all times to prevent strain damage to the wiring and components still connected.

11. Remove two lower Backrest Shroud screws, and secure with the 11” cable ties as shown.

Note: You may need to pull some cable from the excess to ensure slackness.



BACKREST ACTUATOR REMOVAL

1. Push clip forward on Backrest Actuator to loosen.



2. Disconnect cable from Backrest Actuator.



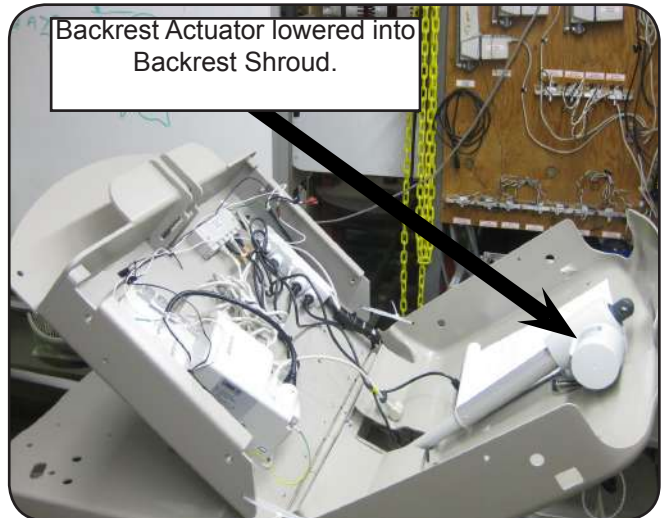
3. Remove top actuator nut.



4. Secure Backrest Actuator as shown to prevent it from falling, and remove top Backrest actuator bolt.
5. Carefully lower Backrest Actuator onto Backrest Shroud.



6. Carefully tilt Backrest forward until it stops.



7. Loosen and remove lower Backrest Actuator nut and bolt.
8. Carefully lower Backrest Actuator onto Backrest Shroud.



BACKREST ACTUATOR INSTALLATION

1. Reinstall new Backrest Actuator as shown observing the cable path as shown.
2. Installation is the reverse of the removal steps.



3. Note: make sure that the top actuator bolt has the washer attached and passes through the 2nd slot from the front as shown.
4. Make sure that all wires are free and clear of the path of actuator travel.



Note: If the serial number on your table is smaller than AP001094 follow these On/Off Switch Wiring Harness replacement instructions. If the serial number on your table is AP001094 or greater, proceed to the “BACK SHROUD REPLACEMENT” section of this document.

On/Off Switch Wiring Harness Replacement

1. Release port 2 cable clip on the DJB. Make sure the clip is all the way out.
2. Remove the On/Off wiring harness from port 2 by grasping the plugs firmly, and wiggling it out.



3. Insert the new On/Off Switch Wiring Harness into port 2.
4. Reattach cable clip ensuring that it is fully engaged.



5. Disconnect the On/Off Switch Wiring Harness connectors from the On/Off switch.
6. Release the On/Off Switch Wiring Harness from the white retaining clips and discard.



7. Attach 4-Way Cable Tie Hold-Down as shown
8. Connect On/Off Switch Wiring Harness connectors to the On/Off Switch (polarity does not matter).
9. Attach On/Off Switch Wiring Harness to 4-Way Cable Tie Hold-Down as shown.
10. Rebundle On/Off Switch Wiring Harness and secure with cable tie.
11. Trim excess cable tie material.



12. Pull excess On/Off Switch Wiring Harness slack through bundle.



BACK SHROUD REPLACEMENT

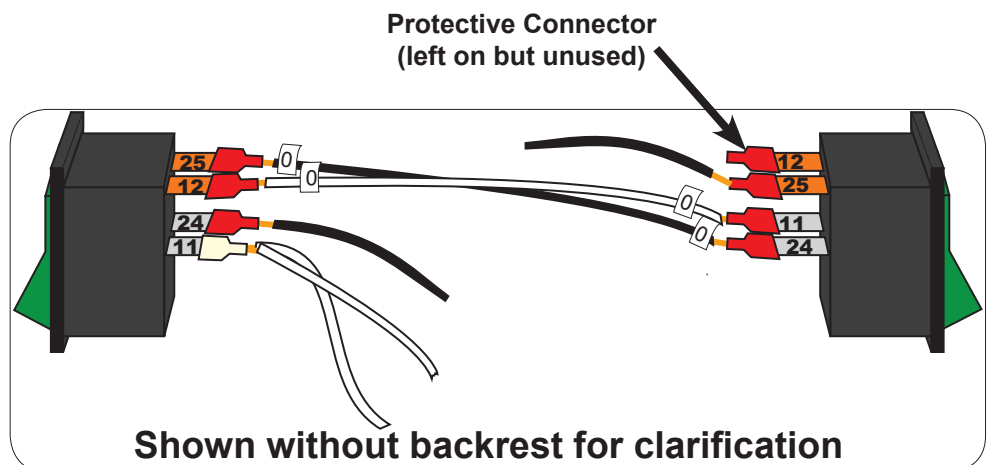
1. Cut the cable ties that were used to temporarily attach the Backrest Shroud to the Backrest.
Note: support Backrest Shroud to prevent it from falling causing damage to the wiring or shroud itself.
2. Attach the two lower shroud-to-backrest screws.
(Do not tighten at this time)



3. Pull the bundles of wires for left and right Power On/Off switches through the Backrest Shroud switch openings.



4. Wire the Power On/Off switches as shown.
5. Plug table in and test with foot control.
6. Unplug table.
7. Carefully cut the cable ties.
8. Make sure the copper terminals on the switches are in the up position as shown and press switches back into the shroud openings.

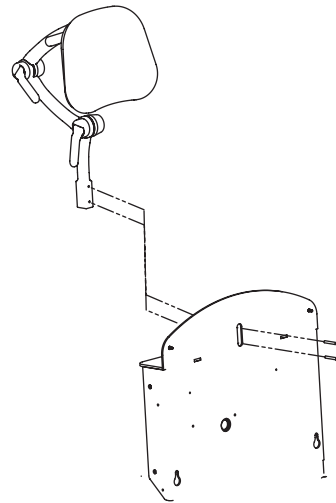


9. Close backrest shroud and install the top two backrest shroud screws.
10. Tighten all four backrest shroud screws.



HEADREST REPLACEMENT

Reinstall headrest using the new headrest screws supplied, and tighten the headrest screws.



SEAT/BACK UPHOLSTERY REPLACEMENT

1. Plug table in and lower backrest.
2. Orient upholstery atop seat and backrest as shown making sure the (4) locators drop into the keyhole slots.
3. Pull upholstery toward headrest to lock into keyholes.
4. Start the (2) upholstery screws on the foot end using new upholstery screws.
5. Plug table in and raise the backrest slightly (this will facilitate starting the remaining upholstery screws).
6. Unplug table and insert the (2) remaining upholstery screws and decorative caps.
7. Tighten all (4) upholstery screws.

